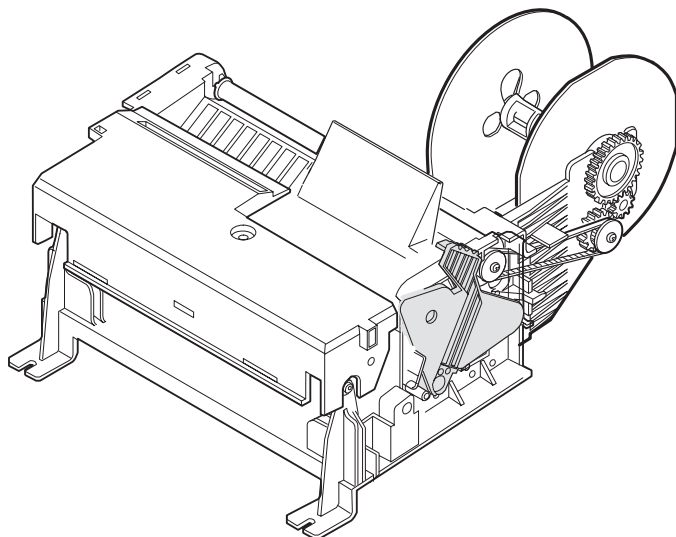


SHARP SERVICE MANUAL

CODE: 00ZPR58HASME



THERMAL PRINTER

MODEL PR-58HA

CONTENTS

CHAPTER 1. SPECIFICATIONS	1
CHAPTER 2. OUTLINE OF DRIVING CIRCUIT	3
CHAPTER 3. HANDLING THE PRINTER	5
CHAPTER 4. MAINTENANCE	7
CHAPTER 5. TROUBLESHOOTING	8
CHAPTER 6. DISASSEMBLY AND ASSEMBLY	12
CHAPTER 7. PWB LAYOUT	22
PARTS GUIDE (Ki-OB2010BHZZ)	
APPLICATION MODEL : UP-600V/700V	

This is a “Table of Contents preview” for quality assurance

The full manual can be purchased from our store:

[https://the-checkout-tech.com/manuals/sharp/PR-58HA internal printer service manual.h](https://the-checkout-tech.com/manuals/sharp/PR-58HA%20internal%20printer%20service%20manual.h)

And our free Online Keysheet maker:

<https://the-checkout-tech.com/Cash-Register-Keysheet-Creator/>

[HTTPS://THE-CHECKOUT-TECH.COM](https://THE-CHECKOUT-TECH.COM)